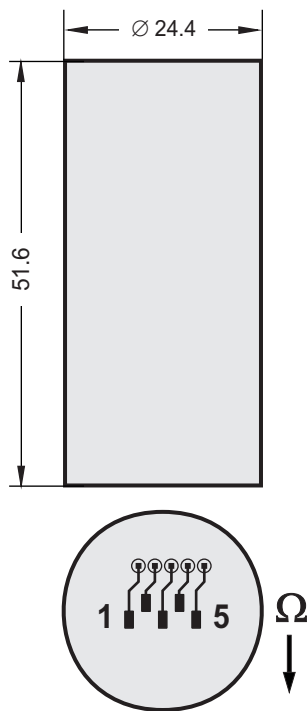


OUTLINE DRAWING



MAIN PARAMETERS (typical values)

- ◆ Rate range 300 deg/s
- ◆ Scale Factor (SF) 7 mV/deg/s
- ◆ Frequency range 0... 1 kHz
- ◆ Angle random walk 0.04 deg /√h
- ◆ Bias stability, RMS 4 deg / h
- ◆ SF stability, RMS 0.1 %
- ◆ Readiness time 0.02 s

ENVIRONMENT

- ◆ Temperature operating -40°C ... +70°C
- ◆ Temperature endurance (2 hours) -55°C... +85°C
- ◆ Vibration, RMS 12 g, 20Hz... 2000Hz
- ◆ Shocks 150 g, 1 ms
- ◆ Acceleration 5 g

◆◆ RELIABILITY

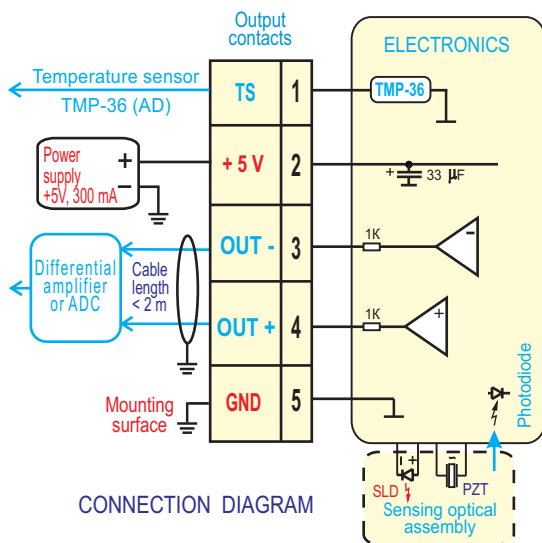
- ◆◆ MTBF 60000 hours (20°C, predicted)
- ◆◆ Lifetime (predicted) 15 years

- ◆◆ Precision class - ④
- ◆◆ Estimated for low humidity

DESCRIPTION OF OUTPUT CONTACTS

Contact	Name	Comments
1	TS	Output of temperature sensor (TMP-36) 10mv per deg.C; 0.75V at 25 deg.C
2	+ 5 V	Power input + 5V ± 0.25V, 200mA max, ripple 10mV max within 0-1MHz
3	OUT -	Analog output (~ - 3.5 mV/ °/s), 1V biased to "GND" *
4	OUT +	Analog output (~ + 3.5 mV/ °/s), 1V biased to "GND" *
5	GND	Power return line, ground.

* - sensor's output is a difference between the voltages at 4 and 3 contacts



CONNECTION DIAGRAM

RECOMMENDATIONS AND PRECAUTIONS

1. Do not deform housing
2. Fragile components inside - no shocks, no drop
3. Treat as electrostatic sensitive unit
4. Is designed to be mounted inside water protected equipment
5. Increased humidity shortens essentially lifetime
6. Mounting surface must be grounded
7. Power must be off during connecting
8. Soldering to contacts - by low-temperature solder

PHYSICAL PARAMETERS

1. Ω - sensing axis
2. Dissipation - 1 W
3. Weight - 30 gram (40 gram max)
4. Volume - 0.025 litre
5. Housing material - aluminum alloy
6. Housing protection - anodizing
7. Tolerances per ISO 2768-m
8. Ingress protection class - IP67