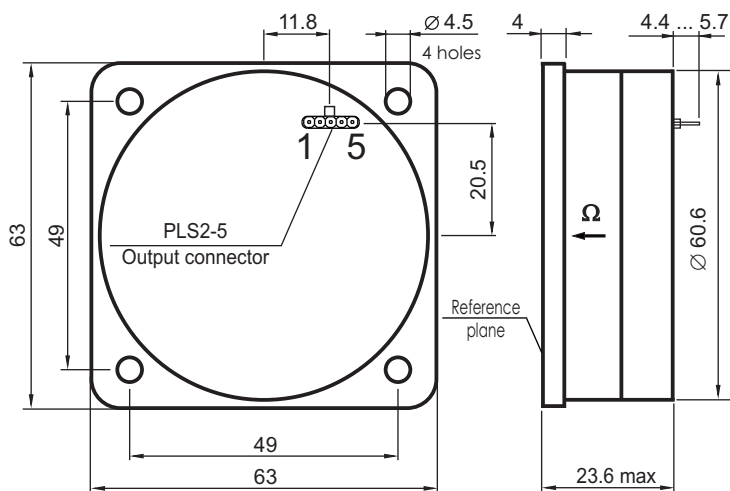


OUTLINE DRAWING



MAIN PARAMETERS (typical values)

- ◆ Rate range 150 deg/s
- ◆ Scale Factor (SF) 12 mV/deg/s
- ◆ Angle random walk 0.01 deg /√h (2.5 μV/√Hz)
- ◆ Bias stability, RMS 2 deg / h
- ◆ SF stability, RMS 0.03 %
- ◆ Readiness time 1 s

ENVIRONMENT

- ◆◆◆ Temperature operating -40°C ... +70°C
- ◆◆◆ endurance (2 hours) -55°C... +85°C
- ◆◆ Vibration, RMS 12 g, 20Hz... 2000Hz
- ◆ Shocks 150 g, 1 ms
- ◆ Acceleration 5 g

◆◆ RELIABILITY

- ◆◆ MTBF 60000 hours (20°C, predicted)
- ◆◆ Lifetime (predicted) 15 years

- ◆ Precision class - ④
- ◆◆ Estimated for low humidity
- ◆◆◆ Operating temperature - temperature of built-in temperature sensor (see table 2)
- ◆◆◆ Endurance temperature - environment temperature. Sensor is turned off.

DIGITAL OUTPUT

1. Asynchronous RS232 port, 8 bit data, 1 stop bit, no parity control.
2. Transmission rate (default) - 115 kBod (repetition rate ~ 1.2 kHz).
Option: - 38 kBod (repetition rate ~ 0.3 kHz).
3. Sensor output voltage = 2.5 RATE / 2²³ V, RATE is a binary complementary 24-bit word (see Table 1).
4. Additional data (Xdata) - temperature (taken from AD TMP36 sensor), supply voltage, consumption current. These data (16 bits each) are transmitted in series of 16 sendings according to the status of COUNTER (see Table 2).

DESCRIPTION OF OUTPUT CONNECTOR PLS2-5

Contact	Name	Comments
1	RS232 TXD	Digital output RS232
2	+ 5 V	Power input +5V ± 0.25V, 300mA max, ripple 10mV max within 0-1MHz
3	Service	Do not use
4	Service	Do not use
5	GND	Power return line, ground

Table 1. Digital data format and data block content

SOD (1 byte)	Start of Data DD hex
Data Block (5 bytes)	1 st byte RATE lowest byte (L) 2 nd byte RATE highest byte (H) 3 rd byte RATE middle byte (M) 4 th byte COUNTER status 5 th byte some of Xdata
ICC (2 bytes)	Lower 2 bytes of sum of Data Block
Total - 8 bytes	

RECOMMENDATIONS AND PRECAUTIONS

1. Do not deform housing
2. Fragile components inside - no shocks, no drop
3. It is recommended to use 2 diagonal screws with elastic washers for mounting.
4. Treat as electrostatic sensitive unit
5. Is designed to be mounted inside water protected equipment
6. Increased humidity shortens essentially lifetime
7. Power must be off during connecting
8. Soldering to contacts - by low-temperature solder

Table 2. X data content

Counter	Byte	Xdata
00	H	Temperature (C)
01	L	HL250 / 2 ¹⁵ - 50
02	H	Supply voltage (V)
03	L	HL2.5 / 2 ¹⁵ / 0.25
04	H	Consumption current (A)
05	L	HL2.5 / 2 ¹⁵ / 10
06...0F		Reserved

PHYSICAL PARAMETERS

1. Ω - sensing axis, 90° ± 1° to the reference plane
2. Dissipation - 1 W
3. Weight - 60 gram (80 gram max)
4. Volume - 0.07 litre
5. Housing material - plastic
6. Tolerances per ISO 2768-m
7. Ingress protection class - IP67